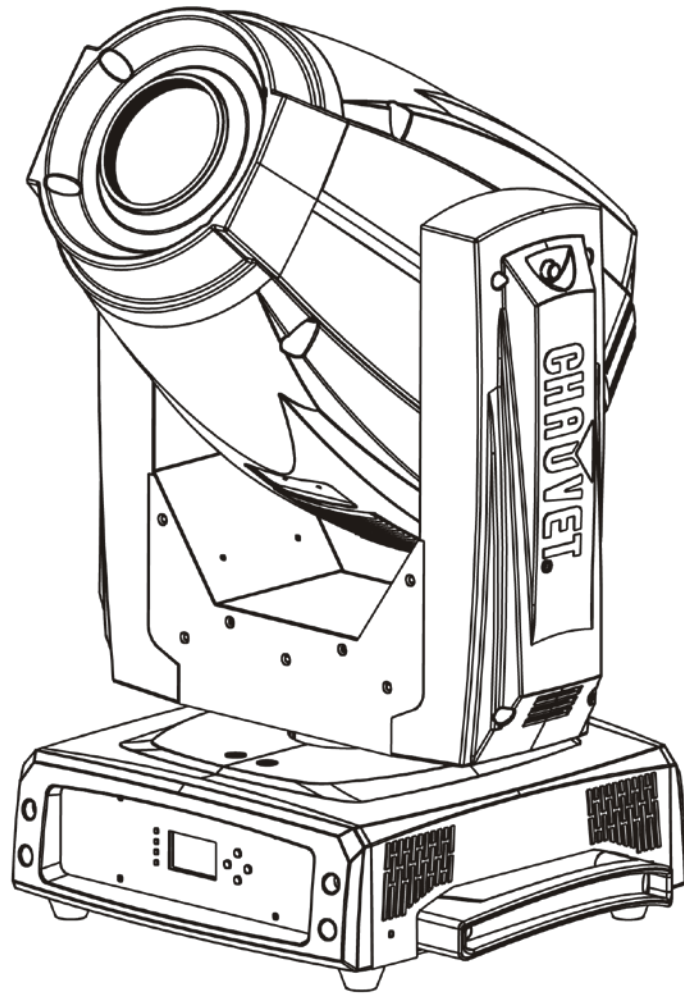


Legend

*3305R
SPOT*

User Manual



CHAUVET
PROFESSIONAL

Edition Notes The Legend 330SR Spot User Manual Rev. 7 covers the description, safety precautions, installation, programming, operation, and maintenance of the Legend 330SR Spot. Chauvet released this edition of the Legend 330SR Spot User Manual in February 2016.

Trademarks CHAUVET® is a registered trademark of CHAUVET & Sons, LLC. (d/b/a CHAUVET® or Chauvet). The CHAUVET® logo in its entirety including the CHAUVET® name and the dotted triangle, and all other trademarks in this manual pertaining to services, products, or marketing statements are owned or licensed by CHAUVET®. Any other product names, logos, brands, company names, and other trademarks featured or referred to within this document are the property of their respective trademark holders.

Copyright Notice Chauvet owns the content of this User Manual in its entirety, including but not limited to pictures, logos, trademarks, and resources.

© **Copyright 2016 Chauvet. All rights reserved.**

Electronically published by Chauvet in the United States of America.

Manual Use Chauvet authorizes its customers to download and print this manual for professional information purposes only. Chauvet expressly prohibits the usage, copy, storage, distribution, modification, or printing of this manual or its content for any other purpose without written consent from Chauvet.

Document Printing For better results, print this document in color, on letter size paper (8.5 x 11 in), double-sided. If using A4 paper (210 x 297 mm), configure your printer to scale the content accordingly.

Intended Audience Any person in charge of installing, operating, and/or maintaining this product should completely read through the guide that shipped with the product, as well as this manual, before installing, operating, or maintaining this product.

Disclaimer Chauvet believes that the information contained in this manual is accurate in all respects. However, Chauvet assumes no responsibility for any errors or omissions in this document. Chauvet reserves the right to revise and make changes to the content of this document without obligation that Chauvet notify any person or company of such revision or changes. This does not in any way constitute a commitment by Chauvet to make such changes. Chauvet may issue a revision of this manual or a new edition to incorporate such changes.

Document Revision The Legend 330SR Spot User Manual Rev. 7 supersedes all previous versions of this manual. Discard any older versions of this manual and replace with this version. Go to www.chauvetprofessional.com for the latest version.

Table of Contents

1. Before You Begin	1
What Is Included	1
Claims	1
Manual Conventions	1
Symbols	1
Product At A Glance	2
Safety Notes	2
Personal Safety.....	2
Mounting And Rigging.....	2
Power And Wiring	2
Operation	2
2. Introduction	3
Description	3
Features.....	3
Overview	4
Dimensions	5
3. Setup.....	6
AC Power.....	6
AC Plug.....	6
Fuse Replacement.....	6
DMX Linking.....	6
DMX Personalities.....	6
Gobo Wheel	7
Gobo Wheel 1	7
Gobo Wheel 2	7
Color Wheel	8
Lamp Replacement.....	9
Procedure	9
Procedure (Cont.).....	10
Increasing the Lamp's Life	10
Mounting	11
Orientation	11
Rigging.....	11
Procedure	11
4. Operation	12
Control Panel Description	12
LCD Display	12
Control Options	12
Programming.....	12
Menu Map	13
Menu Map (Cont.).....	14
DMX Functions.....	15
Product Settings.....	15
Lamp Settings	16
Display Settings	17
Fixture Tests	17
Fixture Information	17
Reset Functions.....	18
Special Functions.....	19
Offset Mode	19
Entering Offset Mode	19
DMX Values	21
DMX Values (Cont.).....	22

DMX Values (cont.).....	23
DMX Values (cont.).....	24
DMX Values (cont.).....	25
DMX Values (cont.).....	26
DMX Values (cont.).....	27
DMX Values (cont.).....	28
DMX Values (cont.).....	29
5. Technical Information	30
Product Maintenance.....	30
Error Messages	31
6. Technical Specifications.....	32
Returns	33
Contact Us	33

1. BEFORE YOU BEGIN




- What Is Included**
- Legend 330SR Spot
 - Neutrik® powerCON® power cord
 - 2 Omega brackets with mounting hardware
 - Warranty Card
 - Quick Reference Guide

Claims Carefully unpack the product immediately and check the box to make sure all the parts are in the package and are in good condition. If the box or the contents (the product and included accessories) appear damaged from shipping or show signs of mishandling, notify the carrier immediately, not Chauvet. Failure to report damage to the carrier immediately may invalidate your claim. In addition, keep the box and contents for inspection. For other issues, such as missing components or parts, damage not related to shipping, or concealed damage, file a claim with Chauvet within 7 days of delivery.

Manual Conventions

Convention	Meaning
1–512	A range of values in the text
50/60	A set of mutually exclusive values in the text
<SET>	A button on the product’s control panel
Settings	A product function or a menu option
MENU>Settings	A sequence of menu options
1–10	A range of menu values from which to choose in a menu
Yes/No	A set of two mutually exclusive menu options in a menu
ON	A unique value to be entered or selected in a menu

Symbols

Symbols	Meaning
	Critical installation, configuration, or operation information. Failure to comply with this information may cause the product not to work, damage third-party equipment, or cause harm to the operator.
	Important installation or configuration information. Failure to comply with this information may keep the product from working.
	Useful information.



The term “DMX” used throughout this manual refers to the USITT DMX512-A digital data transmission protocol.

Product At A Glance	Use on Dimmer	X	Auto Programs	X
	Outdoor Use	X	Auto-Ranging Power Supply	P
	Sound-Activated	X	Replaceable Fuse	P
	DMX	P	User-Serviceable	X
	Master/Slave	X		

Safety Notes

Read all the following Safety Notes before working with this product. These notes include important information about the installation, usage, and maintenance of this product.



This product contains no user-serviceable parts. Any reference to servicing in this User Manual will only apply to properly trained Chauvet certified technicians. Do not open the housing or attempt any repairs.



All applicable local codes and regulations apply to proper installation of this product.

Personal Safety

- Avoid direct eye exposure to the light source while the product is on.
- Always disconnect this product from its power source before servicing.
- Always connect this product to a grounded circuit to avoid the risk of electrocution.
- Do not touch this product's housing during operation because it may be very hot.
- This product is for indoor use only! To prevent risk of fire or shock, do not expose this product to rain or moisture. (IP20)
- CAUTION: When transferring product from extreme temperature environments, (e.g. cold truck to warm humid ballroom) condensation may form on the internal electronics of the product. To avoid causing a failure, allow product to fully acclimate to the surrounding environment before connecting it to power.
- Mount this product in a location with adequate ventilation, at least 20 in (50 cm) from adjacent surfaces.
- This product weighs 47 lb (21.3 kg). Always ask for help when mounting this product to avoid personal injuries or damage to the product.
- Make sure there are no flammable materials close to this product while it is operating.
- Always carry this product by the handles. Do not carry from the head.
- When hanging this product, always secure to a fastening device using a safety cable.
- Always make sure you are connecting this product to the proper voltage in accordance with the specifications in this manual or on the product's specification label.
- Never connect this product to a dimmer pack or rheostat.
- Never disconnect this product by pulling or tugging on the power cable.

Mounting And Rigging

Power And Wiring

Operation

- Do not operate this product if you see damage to the housing, lenses, ultraviolet filter, or cables. Have the damaged parts replaced by an authorized technician at once.
- To eliminate unnecessary wear and improve its lifespan, during periods of non-use completely disconnect the product from power via breaker or by unplugging it.
- Do not cover the ventilation slots when operating to avoid internal overheating.
- Do not aim this product toward the Sun. The lenses could concentrate the solar energy and cause internal overheating.
- The maximum ambient temperature is 113 °F (45 °C). Do not operate this product at a higher temperature.
- In case of a serious operating problem, stop using this product immediately!



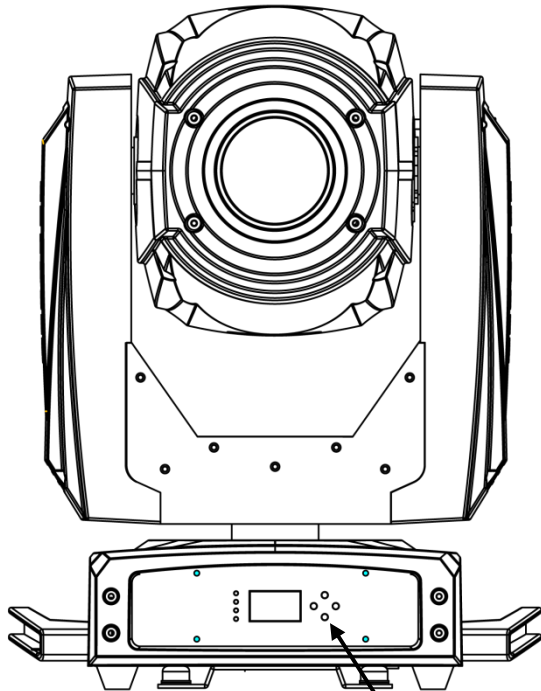
In the unlikely event that your Chauvet product may require service, contact Chauvet Technical Support.

2. INTRODUCTION

Description The Legend 330SR Spot is a compact, electronic, moving yoke beam product equipped with a 330 watt X8 lamp. It includes a color wheel with 7 colors plus white. It also includes a rotating 3-facet prism, frost, remote focus, and 2 gobo wheels for gobo morphing.

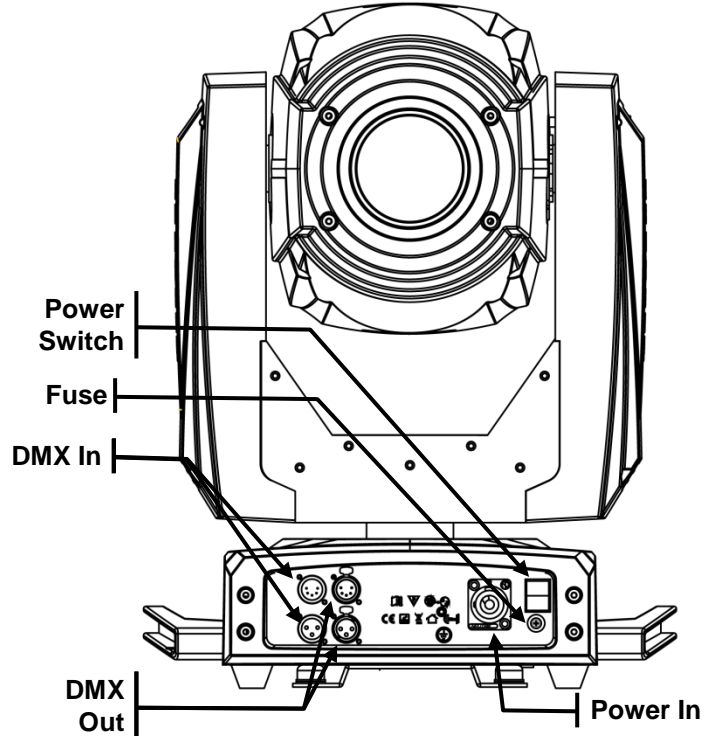
- Features**
- Compact moving yoke spot fixture with zoom optics and motorized focus
 - Virtually silent operation for use in any situation
 - Precision optics for crisp, even gobo projections
 - Variable frost for wash-style effects
 - 3-facet rotating prism with zoom for stunning effects
 - Fast, precise pan and tilt movement
 - Color wheel:
 - 7 colors + Open (white)
 - CTO - Split/linear colors
 - Rainbow color spin at variable speed
 - Gobo wheel 1:
 - 8 gobos (4 metal + 4 glass) + Open
 - Rotating, interchangeable, indexing, slot-n-lock
 - Gobo wheel spin at variable speed
 - Gobo wheel 2:
 - 14 gobos + Open
 - Gobo wheel spin at variable speed
 - 3-facet rotating prism
 - CMY color mixing system with vector speed adjustments
 - DMX channels: 21 or 27
 - Pan: 540°
 - Tilt: 270°
 - Reset over DMX
 - Electronic power supply
 - Mechanical dimmer
 - Neutrik® powerCON® power input
 - 3- and 5-pin DMX input and output connectors

Overview

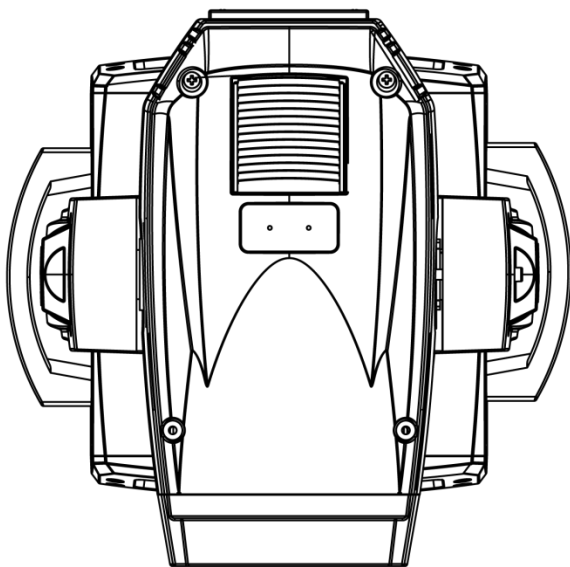


Front View

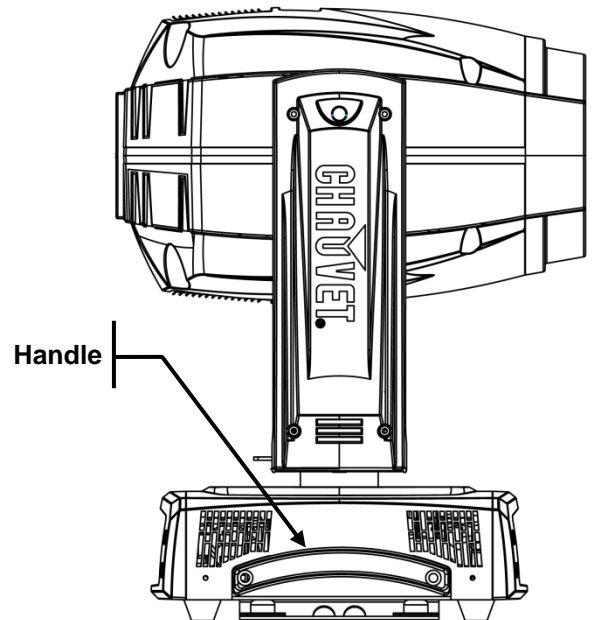
Control Panel



Rear View

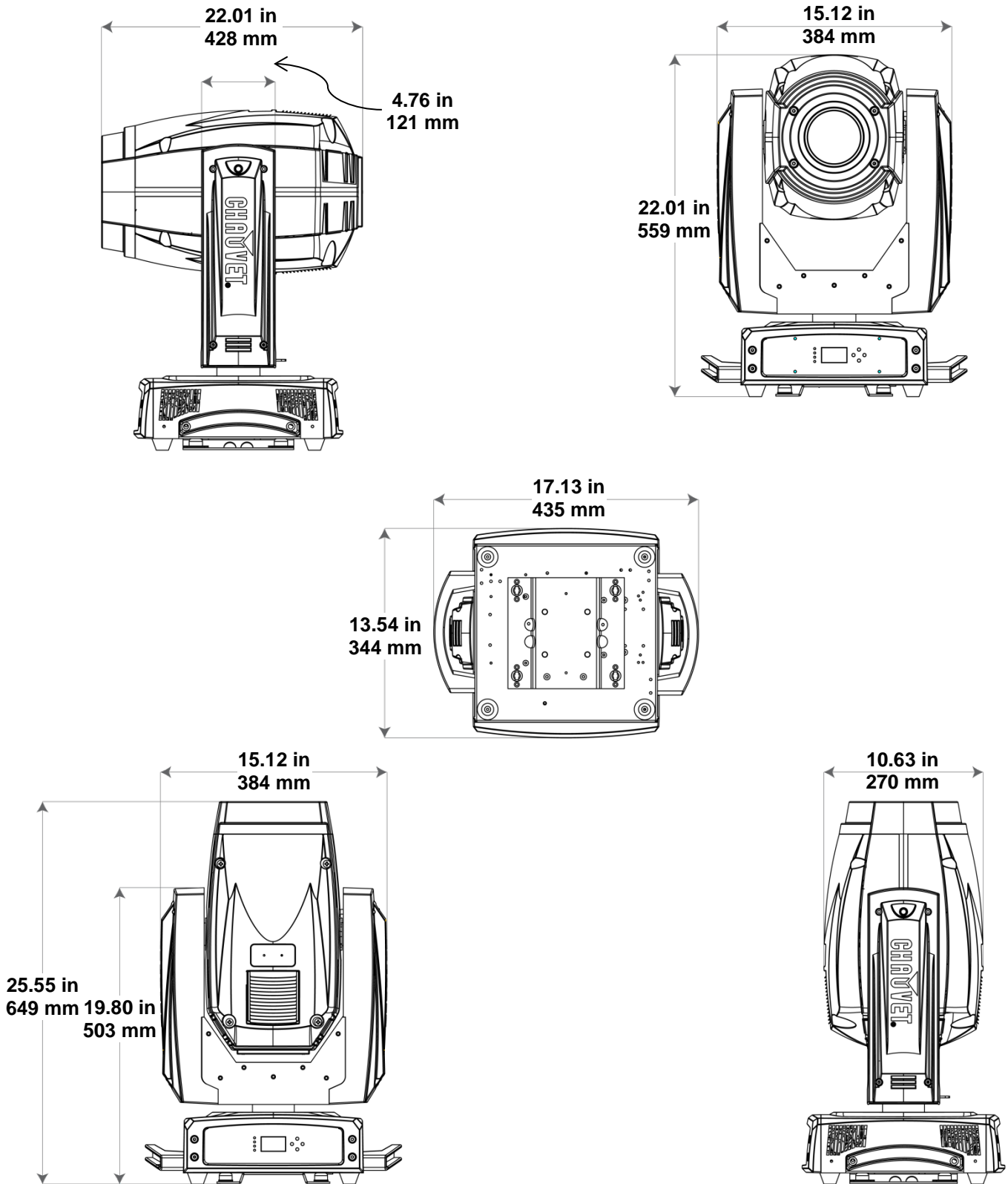


Top View



Side View

Dimensions



3. SETUP

AC Power

Each Legend 330SR Spot has an auto-ranging power supply that works with an input voltage range of 100 to 240 VAC, 50/60 Hz. To determine the power requirements for each Legend 330SR Spot, refer to the label affixed to the product. You can also refer to the [Technical Specifications](#) chart in this manual.

The listed current rating indicates the maximum current draw during normal operation. For more information, you may download Sizing Circuit Breakers from the Chauvet website: www.chauvetprofessional.com.



- **Always connect this product to a protected circuit with an appropriate electrical ground to avoid the risk of electrocution or fire.**
- **To eliminate unnecessary wear and improve its lifespan, during periods of non-use completely disconnect the product from power via breaker or by unplugging it.**



Never connect this product to a rheostat (variable resistor) or dimmer circuit, even if the rheostat or dimmer channel serves only as a 0 to 100% switch.

AC Plug

The Legend 330SR Spot comes with a power input cord terminated with a Neutrik® powerCON® A connector on one end and has been left bare-wired on the other end. Use the table below to wire a new plug.

Connection	Wire (U.S.)	Wire (Europe)	Screw Color
AC Live	Black	Brown	Yellow or Brass
AC Neutral	White	Blue	Silver
AC Ground	Green/Yellow	Green/Yellow	Green

Fuse Replacement

1. Disconnect this product from the power outlet.
2. Using a Phillips-head screwdriver, unscrew the fuse holder cap from the housing.
3. Remove the blown fuse and replace with a another fuse of the same type and rating (T 10 A, 250 V).
4. Screw the fuse holder cap back in place and reconnect power.



Make sure to disconnect the product's power cord before replacing a blown fuse. Always replace the blown fuse with another of the same type and rating.

DMX Linking

You can link the Legend 330SR Spot to a DMX controller using a 3- or 5-pin DMX connection. If using other DMX-compatible products with the Legend 330SR Spot, you can control each individually with a single DMX controller.

DMX Personalities

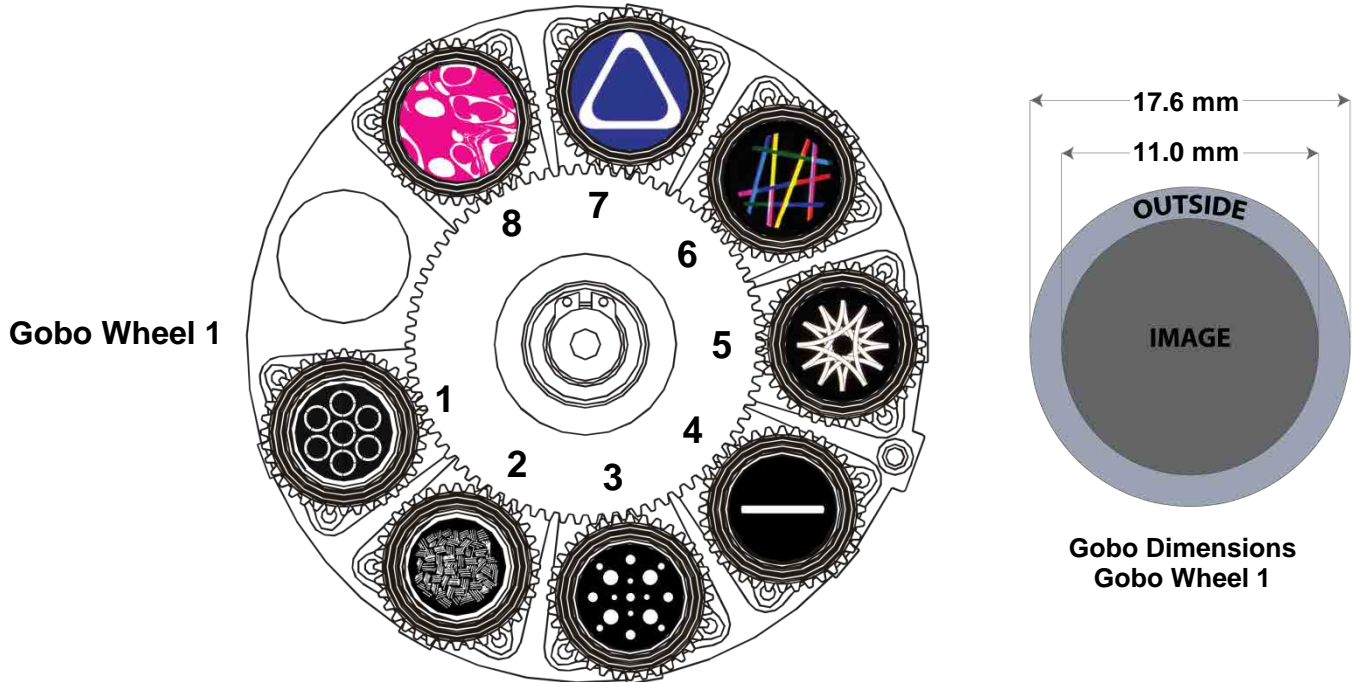
The Legend 330SR Spot uses a 3- or 5-pin DMX data connection for the 21- and 27-channel DMX personalities.

- Refer to the [Introduction](#) chapter for a brief description of each DMX personality.
- Refer to the [Operation](#) chapter to learn how to configure the Legend 330SR Spot to work in these personalities.
- The [DMX Values](#) section provides you with detailed information regarding the DMX personalities.

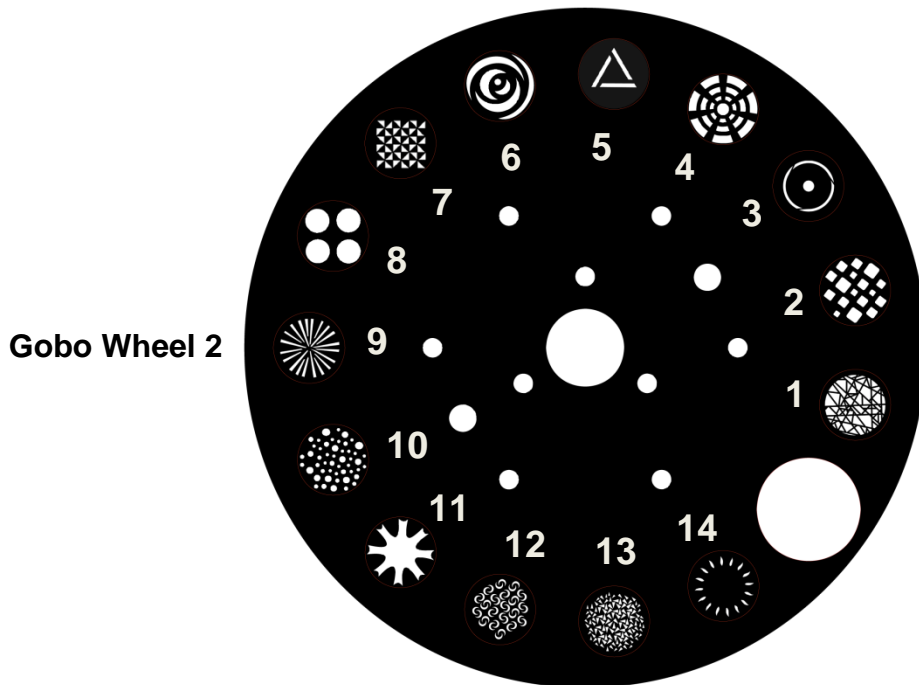


If you are not familiar with or need more information about DMX standards, Master/Slave connectivity, or the DMX cables needed to link this product to a DMX controller, download the DMX Primer from the Chauvet website: www.chauvetprofessional.com.

Gobo Wheel The Legend 330SR Spot includes two gobo wheels: 8 rotating gobos plus open on wheel 1 and 14 fixed gobos plus open on wheel 2. The diagram shows the gobo number on the wheel, as numbered in the [DMX Values](#) tables.

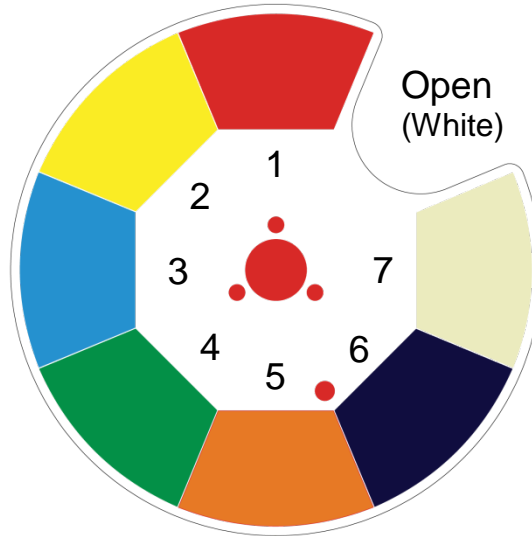


Use only glass gobos when using custom gobos in gobo wheel 1.



The gobos on Gobo Wheel 2 are not removable.

Color Wheel The Legend 330SR Spot includes one color wheel with 7 fixed colors plus open (white), as indicated below. The diagram shows the color number on the wheel, as numbered in the [DMX Values](#) tables.



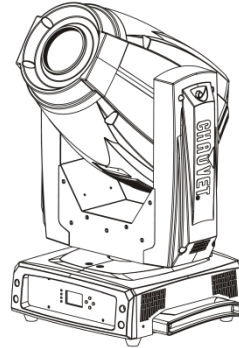
Lamp Replacement The Legend 330SR Spot is equipped with an Osram Sirius 330W X8 lamp. Follow the procedure below to safely change the lamp.



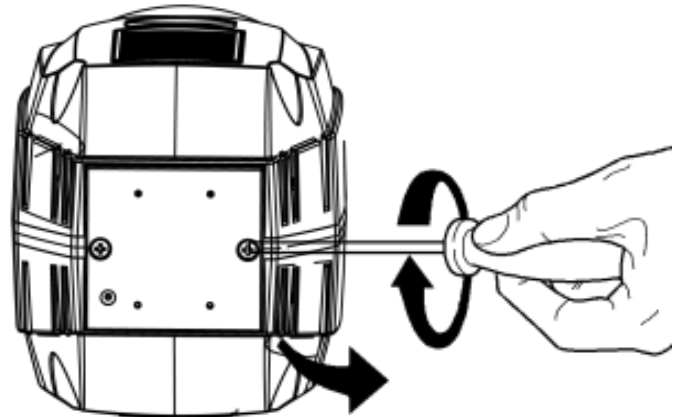
Disconnect the product from power before opening.

Procedure

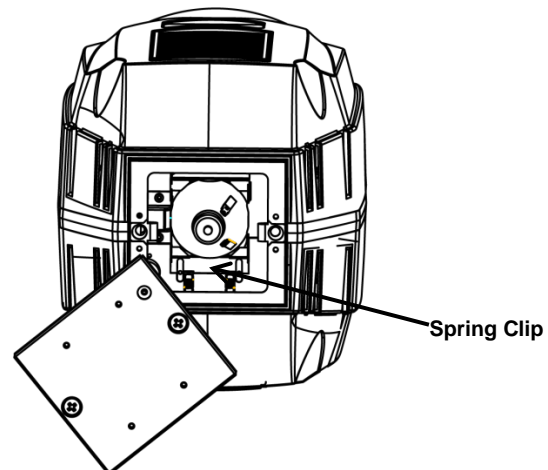
1. Turn the product off and disconnect it from power. Wait at least 15 minutes for the lamp to cool down.



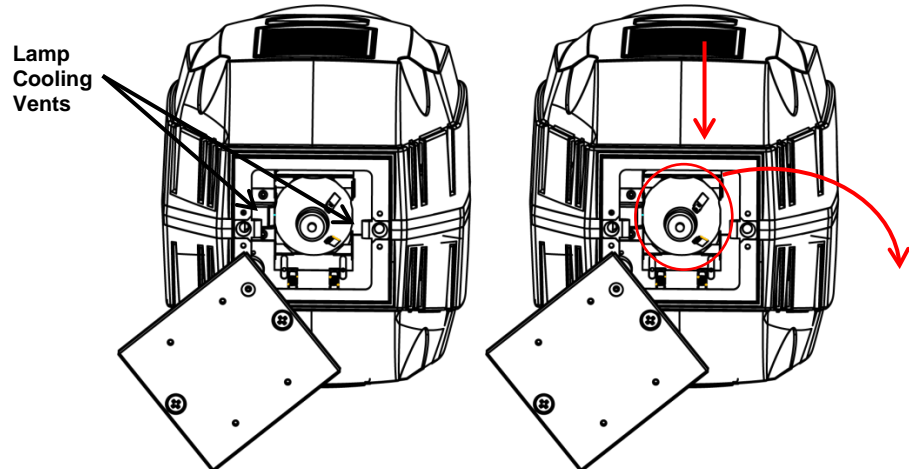
2. Remove back cover using the 2 Phillips-head ¼-turn screws.



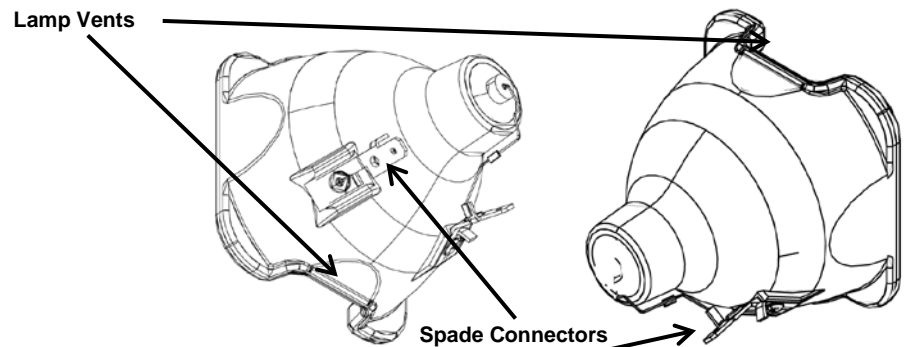
3. Orient the rear of the product so that the spring clip inside is facing downward.



- Procedure 4. (Cont.)** Take note as to the orientation of the lamp. Vent holes on the front of the lamp should align horizontally with the air vents on the lamp frame. This is extremely important for lamp cooling when replacing the lamp. (see step 5 for location of vents on the lamp) Using the lamp base, push the lamp down against the spring clips and then roll the lamp out the top.



5. Remove the 2 wires connected to the lamp by the spade connectors.



6. Reverse the steps above to install the new lamp. Do not touch the glass with bare hands.



RISK OF LAMP EXPLOSION! Vent holes on the front of the lamp should align horizontally with the air vents on the lamp frame. This is extremely important for lamp cooling



Do not turn product on without a lamp!

Increasing the Lamp's Life

- Vent holes on the front of the lamp should align horizontally with the air vents on the lamp frame. This is extremely important for lamp cooling.
- **ALWAYS** turn the lamp off by using the DMX controller or the product's control panel, then wait at least 5 minutes before switching off the product. This will keep the fans running to extract any remaining heat from the product's head.
- **DO NOT** power cycle the product unless it is necessary.
- **DO NOT** re-strike the lamp immediately after turning it off. Chauvet recommends waiting 5 minutes before trying to re-strike the lamp.
- **DO NOT** touch the lamp without wearing gloves to avoid leaving grease on the bulb or on the contacts that could reduce the lamp's life.
- **ALWAYS** change the lamp when it has reached its recommended lifespan to avoid the risk of lamp explosion.

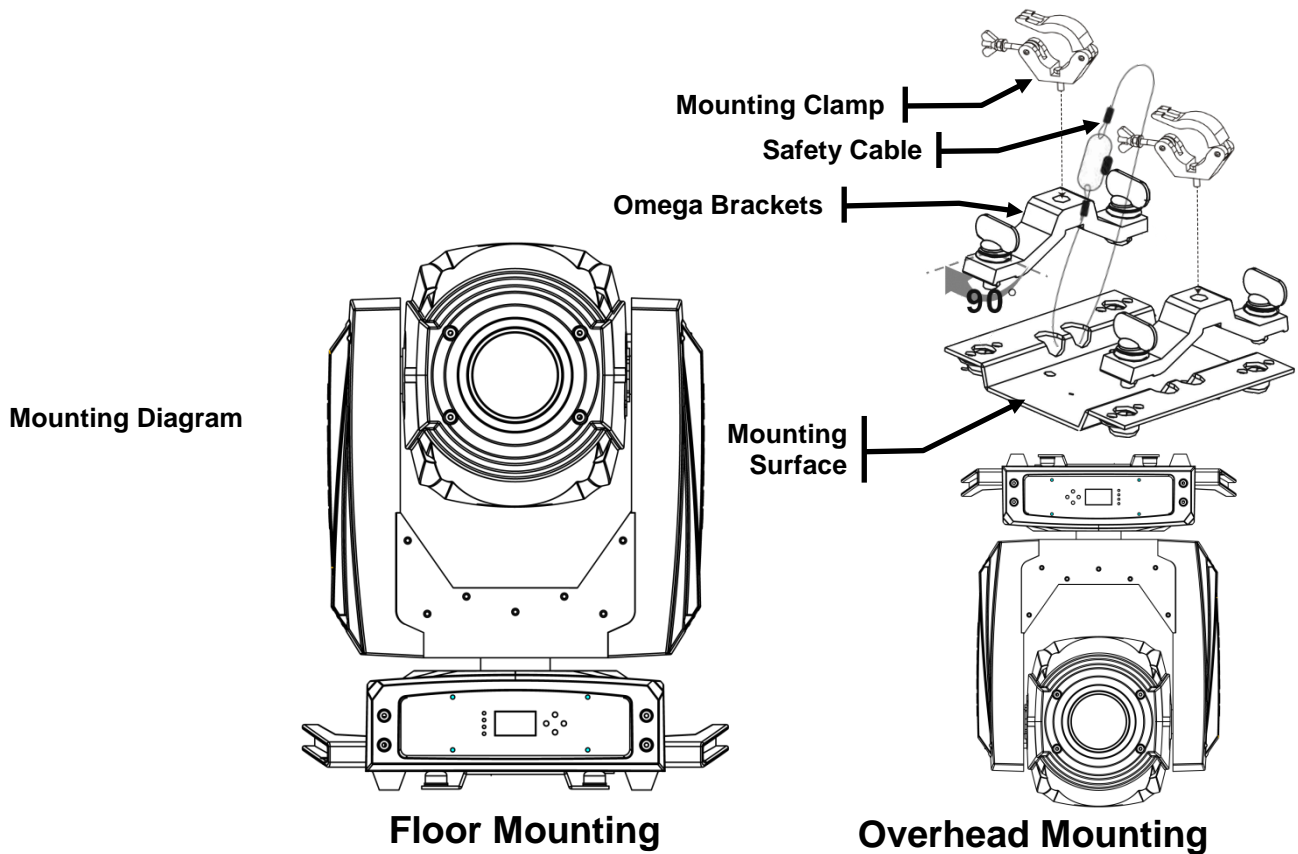
Mounting Before mounting this product, read and follow the [Safety Notes](#). For our Chauvet line of mounting clamps, go to <http://trusst.com/products/>.

Orientation Always mount this product in a safe position and make sure there is adequate room for ventilation, configuration, and maintenance.

Rigging Chauvet recommends using the following general guidelines when mounting this product.

- When selecting an installation location, consider easy access to this product for operation, programming adjustments, and routine maintenance.
- Make sure to mount this product away from any flammable material as indicated in the [Safety Notes](#).
- Never mount in places where rain, high humidity, extreme temperature changes, or restricted ventilation may affect the product.
- If hanging this product, make sure that the mounting location can support the product's weight. See the [Technical Specifications](#) for the weight-bearing requirements of this product.
- When hanging this product, always secure to a fastening device using a safety cable.

Procedure The Legend 330SR Spot comes with a preinstalled mounting surface to which you will be able to attach the 2 included omega brackets. Make sure the clamps are capable of supporting the weight of this product. Use two mounting points per product. In addition, use a safety cable to link the product to the structure.



4. OPERATION

Control Panel Description

Button	Function
<MENU>	Exits from the current menu or function
<ENTER>	Enables the currently displayed menu or sets the currently selected value in to the current function
<UP>	Navigates upward through the menu list or increases the numeric value when in a function
<DOWN>	Navigates downward through the menu list or decreases the numeric value when in a function

LCD Display

The Legend 330SR Spot features a backlit liquid crystal display (LCD) that provides information regarding the product's settings and status. In addition, the LCD can be inverted. This allows ease of reading the display whether the product is positioned on the floor or hanging from a truss.

Upon power up, the LCD will show the Legend logo and the product identification. After completing the power up tests, the LCD will show the DMX address, the DMX mode, and the temperature, along with a warning sign if the tests have detected an error.



Press <ENTER> to read the corresponding error message (see [Error Messages](#) in the [Technical Information](#) section).

To clear the error messages, press <ENTER> while they show on the display.

Control Options

You can set the Legend 330SR Spot starting address in the **001–512** DMX range. This enables control of up to 18 products in the 27-channel **Mode2** personality.

Programming

Refer to the [Menu Map](#) to understand the menu options. The menu map shows the main level and a variable number of programming levels for each option.

- To enter programming mode, press any key on the control panel to wake the opening screen. Press <MENU> until you see one of the main level options.
- To highlight a menu option or to change a setting, press <UP> or <DOWN>.
- To change menu levels as shown in the [Menu Map](#), press <ENTER> or <MENU>. This is equivalent to moving right and left of the Menu Map, respectively.
- To accept the current or new value, press <ENTER>.
- To return to the previous menu without making changes, press <MENU>.
- To exit programming mode, press <MENU> until you see one of the main level options, the opening screen, or do not press any button for 30 seconds and the screen will automatically revert to the opening screen.

Menu Map

Main Level	Programming Levels		Description
DMX Functions	DMX Address	001–512	Selects a starting DMX address
	DMX Channel Mode	Mode1 (21)	Selects the 21-channel DMX mode
		Mode2 (27)	Selects the 27-channel DMX mode
	View DMX Value		Shows current DMX values for each channel
Fixture Setting	Pan Inverse	No	Defines the direction of the pan function
		Yes	
	Tilt Inverse	No	Defines the direction of the tilt function
		Yes	
	P/T Feedback	No	Defines auto correct function
		Yes	
	Bl.o. P/T Moving	No	Defines the pan/tilt move-in black delay
		Yes	
	Bl.o. Color Change	No	Defines the color change move-in black delay
		Yes	
	Bl.o. Gobo Change	No	Defines the gobo change move-in black delay
		Yes	
Lamp Setting	On/Off	OFF	Turns lamp on/off
		ON	
	State/Power On	OFF	Defines the status of the lamp when powering up the product
		ON	
	Off Via DMX	No	Turns off the unit via DMX controller
		Yes	
	On if DMX On	No	Turns lamp on when DMX signal is detected
		Yes	
	Off if DMX Off	No	Turns lamp off when DMX signal is lost
		Yes	
Ignition Delay	0S–255S	Selects duration of delay between product power on and lamp power on	
Low Power Delay	0S–255S	Selects the duration of delay when shutter is closed and lamp enters lower power state	
Display Setting	Display Inverse	No	Defines the direction of the display
		Yes	
	Backlight Auto Off	No	Display backlight always on
		Yes	Display backlight turns off after 1 minute of control panel inactivity
	Backlight Intensity	1–10	Selects backlight intensity from dim (1) to bright (10)
	Temperature Unit	°C	Defines how temperature is displayed
		°F	

Menu Map (Cont.)

Main Level	Programming Levels		Description	
Fixture Test	Auto Test		Selects the product's automatic test sequence	
	Manual Test		Selects the product's manual test function	
Fixture Information	Fixture Use Time		Displays total hours of products use	
	Lamp On Time	Exit	Displays the amount of time the lamp has been on	
		Reset Time	Resets lamp timer to 0	
	Firmware Version		Displays the firmware version	
Reset Functions	Pan/Tilt	No	Resets pan/tilt function to home position	
		Yes		
	Shutter	No	Resets shutter function to home position	
		Yes		
	Color/CMY	No	Resets color wheel/color flags to home position	
		Yes		
	Gobo/Iris	No	Resets gobo wheel/iris functions to home position	
		Yes		
	Zoom/Frost/Focus/Prism	No	Resets zoom/frost/focus/prism functions to home position	
		Yes		
	All	No	Resets all functions to home position	
		Yes		
Special Functions	Fixture Maintenance	Interval	10–300 h	Defines amount of hours between maintenance
		Remain Time	Exit	Shows amount of time remaining in maintenance cycle
			Reset Time	Resets maintenance timer
	Factory Setting	No	Sets product back to default factory settings	
Yes				

DMX Functions From the Main Menu, highlight **DMX Functions** and press **<ENTER>** (a new menu with the DMX functions will open).

- DMX Address**
1. Highlight **DMX Address**.
 2. To change the current address, press **<ENTER>**.
 - a. Change the starting address (**001-512**).
 - b. Accept the new value.

- DMX Mode**
1. Highlight **DMX Channel Mode**.
 2. To change the current mode, press **<ENTER>**.
 - a. Select a DMX mode (**Mode1/Mode2**).
 - b. Accept the selected option.

- View DMX Values**
1. Highlight **View DMX Value**.
 2. Press **<ENTER>**.
 - a. Scroll along the list to see the values of all the current attributes.
 - b. Return to the previous menu.



The list will show either 21 or 27 attributes, depending on the current DMX mode.

Product Settings From the Main Menu, highlight **Fixture Settings** and press **<ENTER>**.

- Reverse Pan Direction**
1. Highlight **Pan Inverse**.
 2. To reverse the pan direction, press **<ENTER>**.
 - a. Select **YES** to reverse the pan direction or **NO** to use the normal pan direction.
 - b. Accept the selected option.

- Reverse Tilt Direction**
1. Highlight **Tilt Inverse**.
 2. To reverse the tilt direction, press **<ENTER>**.
 - a. Select **YES** to reverse the tilt direction or **NO** to use the normal tilt direction.
 - b. Accept the selected option.

- P/T Feedback**
1. Highlight **P/T Feedback**.
 2. To select whether the product will auto correct itself when pan/ tilt is knocked out of position, press **<ENTER>**.
 - a. Select **YES** to turn on the auto correct or **NO** to turn off the auto correct.
 - b. Accept the selected option.

- Head Motion Blackout**
1. Highlight **BI.o P/T Moving**.
 2. To black out the output when the head moves, press **<ENTER>**.
 - a. Select **YES** to black out the output when the head tilts or pans, or **NO** to keep the output on while the head moves.
 - b. Accept the selected option.

- Color Change Blackout**
1. Highlight **BI.o Color Change**.
 2. To black out the output when the color wheel changes, press **<ENTER>**.
 - a. Select **YES** to black out the output during a color change or **NO** to keep the output on to see the color changing.
 - b. Accept the selected option.

- Gobo Change Blackout**
1. Highlight **BI.o Gobo Change**.
 2. To black out the output when the gobo wheel changes, press **<ENTER>**.
 - a. Select **YES** to black out the output during a gobo change or **NO** to keep the output on to see the gobo changing.
 - b. Accept the selected option.

Lamp Settings From the Main Menu, highlight **Lamp Settings** and press **<ENTER>**.



The lamp will not turn on if the ambient temperature is 104 °F (40 °C) or higher.

- Lamp On/Off**
1. Highlight **On/Off**.
 2. To turn the lamp on or off, press **<ENTER>**.
 - a. Select **ON** to turn the lamp on or **OFF** to turn the lamp off.
 - b. Accept the selected option.

- Lamp Status During Power**
1. Highlight **State/Power On**.
 - On** 2. To change the lamp status during power on, press **<ENTER>**.
 - a. Select **ON** to turn on the product and the lamp simultaneously or **OFF** to turn on the product without turning on the lamp.
 - b. Accept the selected option.

- Remote Turn Off**
1. Highlight **Off Via DMX**.
 2. To enable/disable remote turn off, press **<ENTER>**.
 - a. Select **YES** to enable product turn off from either a DMX controller or its power switch, or **NO** to turn the product off only from its power switch.
 - b. Accept the selected option.

- Lamp On if DMX Present**
1. Highlight **On if DMX On**.
 2. To turn the lamp on when DMX is present, press **<ENTER>**.
 - a. Select **YES** to turn the lamp on if DMX signal is present, or **NO** to turn the lamp on only from the control panel.
 - b. Accept the selected option.

- Lamp Off if DMX Absent**
1. Highlight **Off if DMX Off**.
 2. To turn the lamp off when DMX is absent, press **<ENTER>**.
 - a. Select **YES** to turn the lamp off if DMX signal is absent, or **NO** to turn the lamp off only from the control panel.
 - b. Accept the selected option.

- Lamp Strike Delay**
1. Highlight **Ignition Delay**.
 2. To set the lamp strike delay, press **<ENTER>**.
 - a. Select the delay before the lamp strikes after power up in seconds (**0S–255S**).
 - b. Accept the new value.

- Fixture Shut Off Delay**
1. Highlight **Low Power Delay**.
 2. To set the lamp shut off delay, press **<ENTER>**.
 - a. Select the delay before the product powers off after lamp off in seconds (**0S–255S**).
 - b. Accept the new value.

Display Settings From the Main Menu, highlight **Display Settings** and press **<ENTER>**.

- Overturn Display**
1. Highlight **Display Inverse**.
 2. To overturn the display, press **<ENTER>**.
 - a. Select **YES** to turn the LCD around or **NO** to keep the normal LCD view.
 - b. Accept the selected option.

- LCD Backlight Off**
1. Highlight **Backlight Auto Off**.
 2. To configure the LCD backlight, press **<ENTER>**.
 - a. Select **YES** to automatically turn the LCD backlight off after 1 minute or **NO** to keep the LCD backlight always on.
 - b. Accept the selected option.

- Backlight Brightness**
1. Highlight **Backlight Intensity**.
 2. To set the backlight brightness, press **<ENTER>**.
 - a. Select the backlight brightness (**1–10**), **1** being the darkest and **10** the brightest.
 - b. Accept the new value.

- Temperature Unit**
1. Highlight **Temperature Unit**.
 2. To select the temperature unit, press **<ENTER>**.
 - a. Select **°C** to show the temperature in the Celsius scale or **°F** to show the temperature in the Fahrenheit scale.
 - b. Accept the selected option.

Fixture Tests From the Main Menu, highlight **Display Settings** and press **<ENTER>**.

- Automatic Fixture Test**
1. Highlight **Auto Test**.
 2. To start the built-in test sequence, press **<ENTER>**.



The automatic fixture test will end after 1 full cycle. You can stop the test by pressing <MENU>.

- Manual Fixture Test**
1. Highlight **Manual Test** and press **<ENTER>**.
 2. Highlight the desired attribute.
 3. To change the value of the selected attribute, press **<ENTER>**.
 - a. Set the attribute value (**000–255**).
 - b. Accept the new value.
 4. Repeat steps 2 and 3 for the other attributes.
 5. When done with the test, exit to the previous menu (the values of all tested channels will go back to zero).

Fixture Information From the Main Menu, highlight **Fixture Information** and press **<ENTER>**.

Fixture Operation Timer · Highlight **Fixture Use Time** (the accumulated product's operation time will show).



You cannot modify or reset the fixture operation timer.

- Lamp Operation Timer**
1. Highlight **Lamp On Time** (the accumulated lamp's operation time will show).
 2. To reset the lamp operation timer, press **<ENTER>**.
 - a. Select **Reset Time** to reset the timer or **Exit** to exit without resetting.
 - b. Accept the selected option.

- Firmware Version**
1. Highlight **Firmware Version**.
 2. To see the firmware versions installed, press **<ENTER>**.
 - a. The display will show the current firmware version for each of the four CPU boards (A through D) in the product.
 - b. Return to the previous menu.

Reset Functions From the Main Menu, highlight **Reset** and press **<ENTER>**.



You can leave this sub-menu at any time by pressing <MENU> or selecting NO.

- Pan/Tilt Reset** . Highlight **Pan/Tilt** and press **<ENTER>**.
 - a. Select **YES** to reset the pan and tilt movements to their home positions.
 - b. Accept the selected option.
- Shutter Reset** . Highlight **Shutter** and press **<ENTER>**.
 - a. Select **YES** to reset the shutter to the home position.
 - b. Accept the selected option.
- Color/CMY Reset** . Highlight **Color/CMY** and press **<ENTER>**.
 - a. Select **YES** to reset the color wheel and the CMY filters to their home positions.
 - b. Accept the selected option.
- Gobo/Iris Reset** . Highlight **Gobo/Iris** and press **<ENTER>**.
 - a. Select **YES** to reset the gobo wheels and Iris to their home positions.
 - b. Accept the selected option.
- Zoom/Frost/Focus/Prism Reset** . Highlight **Zoom/Frost/Focus/Prism** and press **<ENTER>**.
 - a. Select **YES** to reset the zoom, focus, prism, and frost to their home positions.
 - b. Accept the selected option.
- Reset All** . Highlight **All** and press **<ENTER>**.
 - a. Select **YES** to reset all moving optical parts and the moving head to their home positions.
 - b. Accept the selected option.

Special Functions From the Main Menu, highlight **Special Functions** and press **<ENTER>**.

- Fixture Maintenance Timers**
1. Highlight **Fixture Maintenance** and press **<ENTER>** (the current maintenance interval and remaining time will show).
 2. To change the maintenance interval timer, highlight **Interval** and press **<ENTER>**.
 - a. Select the new interval **10–300 h** (in hours).
 - b. Accept the new value.
 3. To reset the counter for the remaining time, highlight **Remain Time** and press **<ENTER>**.
 - a. Select **Reset Time** to reset the timer or **Exit** to exit without resetting it.
 - b. Accept the selected option.



It is a good idea to use the Fixture Maintenance timer as a reminder to change the lamp.

- Fixture Defaulting** . Highlight **Factory Setting** and press **<ENTER>**.
- a. Select **YES** to reset the product to factory default setting or **NO** to exit without resetting.

Offset Mode The Offset mode provides fine adjustments for the home position of all the moving parts in the optical path as well as the pan and tilt movements. This way, when in their home position, the moving parts do not show any border or reduce the light output.

- Entering Offset Mode**
1. Press **<MENU>** to enter the regular Menu mode.
 2. Press **<ENTER>** for more than 3 seconds to enter the Offset mode (the Offset mode menu will show).
- Pan** . Select **Pan** and press **<ENTER>**.
- a. Select the new value (**-128–127**).
 - b. Accept the new value.
- Tilt** . Select **Tilt** and press **<ENTER>**.
- a. Select the new value (**-128–127**).
 - b. Accept the new value.
- Shutter** . Select **Shutter** and press **<ENTER>**.
- a. Select the new value (**000–255**).
 - b. Accept the new value.
- Color** . Select **Color** and press **<ENTER>**.
- a. Select the new value (**-128–127**).
 - b. Accept the new value.
- Cyan** . Select **Cyan** and press **<ENTER>**.
- a. Select the new value (**000–255**).
 - b. Accept the new value.
- Magenta** . Select **Magenta** and press **<ENTER>**.
- a. Select the new value (**000–255**).
 - b. Accept the new value.
- Yellow** . Select **Yellow** and press **<ENTER>**.
- a. Select the new value (**000–255**).
 - b. Accept the new value.

- Gobo** . Select **Gobo** and press **<ENTER>**.
 - a. Select the new value (-128–127).
 - b. Accept the new value.
- R-Gobo** . Select **R-Gobo** and press **<ENTER>**.
 - a. Select the new value (-128–127).
 - b. Accept the new value.
- Gobo 2** . Select **Gobo 2** and press **<ENTER>**.
 - a. Select the new value (-128–127).
 - b. Accept the new value.
- Iris** . Select **Iris** and press **<ENTER>**.
 - a. Select the new value (000–255).
 - b. Accept the new value.
- Prism** . Select **Prism** and press **<ENTER>**.
 - a. Select the new value (000–255).
 - b. Accept the new value.
- R-Prism** . Select **R-Prism** and press **<ENTER>**.
 - a. Select the new value (-128–127).
 - b. Accept the new value.
- Zoom** . Select **Zoom** and press **<ENTER>**.
 - a. Select the new value (000–255).
 - b. Accept the new value.
- Focus** . Select **Focus** and press **<ENTER>**.
 - a. Select the new value (000–255).
 - b. Accept the new value.
- Frost** . Select **Frost** and press **<ENTER>**.
 - a. Select the new value (000–255).
 - b. Accept the new value.

DMX Values

Mode1 (21)

Channel	Function	Value	Percent/Setting
1	Pan	000 ó 255	0–100%
2	Fine Pan	000 ó 255	0–100%
3	Tilt	000 ó 255	0–100%
4	Fine Tilt	000 ó 255	0–100%
5	Pan/Tilt Speed	000 ó 255	Fast to slow
6	Dimmer	000 ó 255	0–100%
7	Shutter	000 ó 007	No function
		008 ó 015	Open
		016 ó 131	Slow to fast (strobe)
		132 ó 167	Fast close/slow open
		168 ó 203	Slow close/fast open
		204 ó 239	Slow to fast (pulse effect)
		240 ó 247	Random strobe
		248 ó 255	Open
8	Color Wheel	000 ó 007	Open
		008 ó 015	Color 1
		016 ó 023	Color 2
		024 ó 031	Color 3
		032 ó 039	Color 4
		040 ó 047	Color 5
		048 ó 055	Color 6
		056 ó 063	Color 7
		064 ó 127	Index/split color
		128 ó 189	Clockwise rotation, fast to slow
		190 ó 193	Stop
194 ó 255	Counter-clockwise rotation, slow to fast		
9	Cyan	000 ó 255	0–100%
10	Magenta	000 ó 255	0–100%
11	Yellow	000 ó 255	0–100%
12	Gobo Wheel 1	000 ó 007	Open
		008 ó 014	Gobo 1
		015 ó 021	Gobo 2
		022 ó 028	Gobo 3
		029 ó 035	Gobo 4
		036 ó 042	Gobo 5
		043 ó 049	Gobo 6
		050 ó 056	Gobo 7
		057 ó 063	Gobo 8
		064 ó 127	Gobo 1–8 bounce
		128 ó 189	Clockwise rotation, fast to slow
		190 ó 193	Stop
		194 ó 255	Counter-clockwise rotation, slow to fast

DMX Values (Cont.)

Mode1 (21) (cont.)	Channel	Function	Value	Percent/Setting
	13	Gobo Wheel 1 Rotate	000 ó 127	Index/split gobo
			128 ó 189	Clockwise rotation, fast to slow
			190 ó 193	Stop
			194 ó 255	Counter-clockwise rotation, slow to fast
	14	Gobo Wheel 2	000 ó 004	Open
			005 ó 009	Gobo 1
			010 ó 014	Gobo 2
			015 ó 018	Gobo 3
			019 ó 023	Gobo 4
			024 ó 028	Gobo 5
			029 ó 033	Gobo 6
			034 ó 037	Gobo 7
			038 ó 042	Gobo 8
			043 ó 047	Gobo 9
			048 ó 052	Gobo 10
			053 ó 056	Gobo 11
			057 ó 061	Gobo 12
			062 ó 066	Gobo 13
			067 ó 071	Gobo 14
			072 ó 127	Gobo 1–14 bounce
128 ó 189	Clockwise rotation, fast to slow			
190 ó 193	Stop			
194 ó 255	Counter-clockwise rotation, slow to fast			
	15	Focus	000 ó 255	0–100%
	16	Zoom	000 ó 255	0–100%

DMX Values (cont.)

Mode1 (21) (cont.)	Channel	Function	Value	Percent/Setting
17	Prism Wheel	000 ó 007	No function	
		008 ó 127	Prism insert	
		128 ó 131	Effect 1-gobo 1-clockwise prism spin	
		132 ó 135	Effect 1-gobo 2-clockwise prism spin	
		136 ó 139	Effect 1-gobo 3-clockwise prism spin	
		140 ó 143	Effect 1-gobo 4-clockwise prism spin	
		144 ó 147	Effect 1-gobo 5-clockwise prism spin	
		148 ó 151	Effect 1-gobo 6-clockwise prism spin	
		152 ó 155	Effect 1-gobo 7-clockwise prism spin	
		156 ó 159	Effect 1-gobo 8-clockwise prism spin	
		160 ó 163	Effect 1-gobo 1 rotate/clockwise prism spin	
		164 ó 167	Effect 1-gobo 2 rotate/clockwise prism spin	
		168 ó 171	Effect 1-gobo 3 rotate/clockwise prism spin	
		172 ó 175	Effect 1-gobo 4 rotate/clockwise prism spin	
		176 ó 179	Effect 1-gobo 5 rotate/clockwise prism spin	
		180 ó 183	Effect 1-gobo 6 rotate/clockwise prism spin	
		184 ó 187	Effect 1-gobo 7 rotate/clockwise prism spin	
		188 ó 191	Effect 1-gobo 8 rotate/clockwise prism spin	
		192 ó 195	Effect 2-gobo 1/counter-clockwise prism spin	
		196 ó 199	Effect 2-gobo 2/counter-clockwise prism spin	
		200 ó 203	Effect 2-gobo 3/counter-clockwise prism spin	
		204 ó 207	Effect 2-gobo 4/counter-clockwise prism spin	
		208 ó 211	Effect 2-gobo 5/counter-clockwise prism spin	
		212 ó 215	Effect 2-gobo 6/counter-clockwise prism spin	
		216 ó 219	Effect 2-gobo 7/counter-clockwise prism spin	
		220 ó 223	Effect 2-gobo 8/counter-clockwise prism spin	
		224 ó 227	Effect 2-gobo 1 rotate/counter-clockwise prism spin	
		228 ó 231	Effect 2-gobo 2 rotate/counter-clockwise prism spin	
		232 ó 235	Effect 2-gobo 3 rotate/counter-clockwise prism spin	
		236 ó 239	Effect 2-gobo 4 rotate/counter-clockwise prism spin	
		240 ó 243	Effect 2-gobo 5 rotate/counter-clockwise prism spin	
		244 ó 247	Effect 2-gobo 6 rotate/counter-clockwise prism spin	
248 ó 251	Effect 2-gobo 7 rotate/counter-clockwise prism spin			
252 ó 255	Effect 2-gobo 8 rotate/counter-clockwise prism spin			
18	Prism Rotation	000 ó 127	Index	
		128 ó 190	Clockwise rotation, fast to slow	
		191 ó 192	Stop	
		193 ó 255	Counter-clockwise rotation, slow to fast	
19	Iris	000 ó 063	Wide to narrow	
		064 ó 127	Iris effect, slow to fast	
		128 ó 191	Iris effect, out slow, in fast	
		192 ó 255	Iris effect, in slow, out fast	
20	Frost	000 ó 255	0–100%	

DMX Values (cont.)

Mode1 (21) (cont.)	Channel	Function	Value	Percent/Setting
	21	Control	000 ó 069	No function
			070 ó 079	Pan/tilt blackout mode enabled
			080 ó 089	Pan/tilt blackout mode disabled
			090 ó 099	Color wheel change blackout mode enabled
			100 ó 109	Color wheel change blackout mode disabled
			110 ó 119	Gobo change blackout mode enabled
			120 ó 129	Gobo change blackout mode disabled
			130 ó 139	Lamp on
			140 ó 149	Pan/tilt reset
			150 ó 159	Color/CMY reset
			160 ó 169	Gobo/iris reset
			170 ó 179	Shutter/dimmer reset
			180 ó 189	No function
			190 ó 199	Frost/focus reset
			200 ó 209	Reset all
			210 ó 219	Color, gobo, pan/tilt change blackout mode enabled
			220 ó 229	Color, gobo, pan/tilt change blackout mode disabled
	230 ó 239	Lamp off		
	240 ó 255	No function		

DMX Values (cont.)

Mode2 (27)	Channel	Function	Value	Percent/Setting
	1	Pan	000 ó 255	0–100%
	2	Fine Pan	000 ó 255	0–100%
	3	Tilt	000 ó 255	0–100%
	4	Fine Tilt	000 ó 255	0–100%
	5	Pan/Tilt Speed	000 ó 255	Fast to slow
	6	Dimmer	000 ó 255	0–100%
	7	Fine Dimmer	000 ó 255	0–100%
	8	Shutter	000 ó 007 008 ó 015 016 ó 131 132 ó 167 168 ó 203 204 ó 239 240 ó 247 248 ó 255	No function Open Slow to fast (strobe) Fast close/slow open Slow close/fast open Slow to fast (pulse effect) Random strobe Open
	9	Color Wheel	000 ó 007 008 ó 015 016 ó 023 024 ó 031 032 ó 039 040 ó 047 048 ó 055 056 ó 063 064 ó 127 128 ó 189 190 ó 193 194 ó 255	Open Color 1 Color 2 Color 3 Color 4 Color 5 Color 6 Color 7 Index/split color Clockwise rotation, fast to slow Stop Counter-clockwise rotation, slow to fast
	10	Cyan	000 ó 255	0–100%
	11	Magenta	000 ó 255	0–100%
	12	Yellow	000 ó 255	0–100%
	13	CMY Speed	000 ó 254 255	Fast to slow Fast

DMX Values (cont.)

Mode2 (27) (cont.)	Channel	Function	Value	Percent/Setting
	14	Gobo Wheel 1	000 ó 007	Open
			008 ó 014	Gobo 1
			015 ó 021	Gobo 2
			022 ó 028	Gobo 3
			029 ó 035	Gobo 4
			036 ó 042	Gobo 5
			043 ó 049	Gobo 6
			050 ó 056	Gobo 7
			057 ó 063	Gobo 8
			064 ó 127	Gobo 1–8 bounce
			128 ó 189	Clockwise rotation, fast to slow
			190 ó 193	Stop
			194 ó 255	Counter-clockwise rotation, slow to fast
				15
128 ó 189	Clockwise rotation, fast to slow			
190 ó 193	Stop			
194 ó 255	Counter-clockwise rotation, slow to fast			
	16	Gobo Wheel 2	000 ó 004	Open
			005 ó 009	Gobo 1
			010 ó 014	Gobo 2
			015 ó 018	Gobo 3
			019 ó 023	Gobo 4
			024 ó 028	Gobo 5
			029 ó 033	Gobo 6
			034 ó 037	Gobo 7
			038 ó 042	Gobo 8
			043 ó 047	Gobo 9
			048 ó 052	Gobo 10
			053 ó 056	Gobo 11
			057 ó 061	Gobo 12
			062 ó 066	Gobo 13
			067 ó 071	Gobo 14
072 ó 127	Gobo 1–14 bounce			
128 ó 189	Clockwise rotation, fast to slow			
190 ó 193	Stop			
194 ó 255	Counter-clockwise rotation, slow to fast			
	17	Focus	000 ó 255	0–100%
	18	Zoom	000 ó 255	0–100%

DMX Values (cont.)

 Mode2 (27)
(cont.)

Channel	Function	Value	Percent/Setting
19	Prism Wheel	000 ó 007	No function
		008 ó 127	Prism insert
		128 ó 131	Effect 1-gobo 1-clockwise prism spin
		132 ó 135	Effect 1-gobo 2-clockwise prism spin
		136 ó 139	Effect 1-gobo 3-clockwise prism spin
		140 ó 143	Effect 1-gobo 4-clockwise prism spin
		144 ó 147	Effect 1-gobo 5-clockwise prism spin
		148 ó 151	Effect 1-gobo 6-clockwise prism spin
		152 ó 155	Effect 1-gobo 7-clockwise prism spin
		156 ó 159	Effect 1-gobo 8-clockwise prism spin
		160 ó 163	Effect 1-gobo 1 rotate/clockwise prism spin
		164 ó 167	Effect 1-gobo 2 rotate/clockwise prism spin
		168 ó 171	Effect 1-gobo 3 rotate/clockwise prism spin
		172 ó 175	Effect 1-gobo 4 rotate/clockwise prism spin
		176 ó 179	Effect 1-gobo 5 rotate/clockwise prism spin
		180 ó 183	Effect 1-gobo 6 rotate/clockwise prism spin
		184 ó 187	Effect 1-gobo 7 rotate/clockwise prism spin
		188 ó 191	Effect 1-gobo 8 rotate/clockwise prism spin
		192 ó 195	Effect 2-gobo 1/counter-clockwise prism spin
		196 ó 199	Effect 2-gobo 2/counter-clockwise prism spin
		200 ó 203	Effect 2-gobo 3/counter-clockwise prism spin
		204 ó 207	Effect 2-gobo 4/counter-clockwise prism spin
		208 ó 211	Effect 2-gobo 5/counter-clockwise prism spin
		212 ó 215	Effect 2-gobo 6/counter-clockwise prism spin
		216 ó 219	Effect 2-gobo 7/counter-clockwise prism spin
		220 ó 223	Effect 2-gobo 8/counter-clockwise prism spin
		224 ó 227	Effect 2-gobo 1 rotate/counter-clockwise prism spin
		228 ó 231	Effect 2-gobo 2 rotate/counter-clockwise prism spin
		232 ó 235	Effect 2-gobo 3 rotate/counter-clockwise prism spin
		236 ó 239	Effect 2-gobo 4 rotate/counter-clockwise prism spin
		240 ó 243	Effect 2-gobo 5 rotate/counter-clockwise prism spin
		244 ó 247	Effect 2-gobo 6 rotate/counter-clockwise prism spin
248 ó 251	Effect 2-gobo 7 rotate/counter-clockwise prism spin		
252 ó 255	Effect 2-gobo 8 rotate/counter-clockwise prism spin		
20	Prism Rotation	000 ó 127	Index
		128 ó 190	Clockwise rotation, fast to slow
		191 ó 192	Stop
		193 ó 255	Counter-clockwise rotation, slow to fast
21	Iris	000 ó 063	Wide to narrow
		064 ó 127	Iris effect, slow to fast
		128 ó 191	Iris effect, out slow, in fast
		192 ó 255	Iris effect, in slow, out fast

DMX Values (cont.)

Mode2 (27) (cont.)	Channel	Function	Value	Percent/Setting
	22	Frost	000 ó 255	0–100%
			000 ó 007	No function
			008 ó 015	Macro 1
			016 ó 023	Macro 2
			024 ó 031	Macro 3
			032 ó 039	Macro 4
			040 ó 047	Macro 5
			048 ó 055	Macro 6
			056 ó 063	Macro 7
			064 ó 071	Macro 8
			072 ó 079	Macro 9
			080 ó 087	Macro 10
			088 ó 095	Macro 11
			096 ó 103	Macro 12
			104 ó 111	Macro 13
			112 ó 119	Macro 14
	23	Pan/Tilt Macro	120 ó 127	Macro 15
			128 ó 135	Macro 16
			136 ó 143	Macro 17
			144 ó 151	Macro 18
			152 ó 159	Macro 19
			160 ó 167	Macro 20
			168 ó 175	Macro 21
			176 ó 183	Macro 22
			184 ó 191	Macro 23
			192 ó 199	Macro 24
			200 ó 207	Macro 25
			208 ó 215	Macro 26
			216 ó 223	Macro 27
			224 ó 231	Macro 28
			232 ó 239	Macro 29
			240 ó 247	Macro 30
			248 ó 255	Macro 31
	24	Pan/Tilt Macro Speed	000 ó 255	0–100%
			000 ó 021	No function
			022 ó 042	Color 1
			043 ó 063	Color 2
			064 ó 085	Color 3
			086 ó 106	Color 4
			107 ó 127	Color 5
			128 ó 148	Color 6
			149 ó 170	Color 7
			171 ó 191	Color 8
			192 ó 212	Color 9
			213 ó 233	Color 10
			234 ó 255	Color 11
	25	Preset Color		

DMX Values (cont.)
**Mode2 (27)
(cont.)**

Channel	Function	Value	Percent/Setting
26	Color Macro	000 ó 007	No function
		008 ó 028	Color Macro 1
		029 ó 049	Color Macro 2
		050 ó 069	Color Macro 3
		070 ó 090	Color Macro 4
		091 ó 110	Color Macro 5
		111 ó 131	Color Macro 6
		132 ó 152	Color Macro 7
		153 ó 173	Color Macro 8
		174 ó 193	Color Macro 9
		194 ó 213	Color Macro 10
		214 ó 234	Color Macro 11
		235 ó 255	Color Macro 12
27	Control	000 ó 069	No function
		070 ó 079	Pan/tilt blackout mode enabled
		080 ó 089	Pan/tilt blackout mode disabled
		090 ó 099	Color wheel change blackout mode enabled
		100 ó 109	Color wheel change blackout mode disabled
		110 ó 119	Gobo change blackout mode enabled
		120 ó 129	Gobo change blackout mode disabled
		130 ó 139	Lamp on
		140 ó 149	Pan/tilt reset
		150 ó 159	Color/CMY reset
		160 ó 169	Gobo/iris reset
		170 ó 179	Shutter/dimmer reset
		180 ó 189	No function
		190 ó 199	Frost/focus reset
		200 ó 209	Reset all
		210 ó 219	Color, gobo, pan/tilt change blackout mode enabled
		220 ó 229	Color, gobo, pan/tilt change blackout mode disabled
230 ó 239	Lamp off		
		240 ó 255	No function

5. TECHNICAL INFORMATION

Product Maintenance

To maintain optimum performance and minimize wear, you should clean this product frequently. Usage and environment are contributing factors in determining the cleaning frequency.

As a rule, clean this product at least twice a month. Dust build-up reduces light output performance and can cause overheating. This can lead to reduced light source life and increased mechanical wear.

To clean your product:

1. Unplug the product from power.
2. Wait until the product is at room temperature.
3. Use a vacuum (or dry compressed air) and a soft brush to remove dust collected on the external vents.
4. Clean all external surfaces with a mild solution of non-ammonia glass cleaner or isopropyl alcohol.
5. Apply the solution directly to a soft, lint-free cotton cloth or a lens cleaning tissue.
6. Wipe any dirt or grime to the outside edges of the lens surface.
7. Gently polish the lens surfaces until they are free of haze and lint.



Always dry the external surfaces thoroughly and carefully after cleaning them.



Do not spin the cooling fans while blowing compressed air into them.

Error Messages

Message	Cause(s)	Action(s)
Lamp Startup Fail	The lamp has not started after being struck	<ul style="list-style-type: none"> • Check lamp • Check lamp socket and wiring • Send product for repair
Temperature Sense Error	No communication with temperature sensor	<ul style="list-style-type: none"> • Check sensor wiring • Check sensor integrity • Send product for repair
Lamp Too Hot Low Power	Ambient temperature higher than 104 °C; lamp in low power for safety	<ul style="list-style-type: none"> • Check fans • Check fan wiring • Clean vents
Lamp Too Hot Power Off	Ambient temperature higher than 110 °C; lamp off for safety	<ul style="list-style-type: none"> • Check fans • Check fan wiring • Clean vents
Maintenance Fixture	Fixture Maintenance timer expired	<ul style="list-style-type: none"> • Proceed with maintenance and reset timer
Memory Initial Fail	Memory chip error	<ul style="list-style-type: none"> • Send product for repair
CPU-B Error CPU-C Error CPU-D Error	No communication with auxiliary CPU	<ul style="list-style-type: none"> • Check sensor's wiring and position • Send product for repair
Pan Reset Error Pan Encode Error Tilt Reset Error Tilt Encode Error	Moving head failed to go to home position after power up or fixture reset	<ul style="list-style-type: none"> • Check moving head's free movement • Check sensors' wiring and position • Send product for repair
Dimmer Reset Fail Color Reset Fail Gobo Reset Fail Focus Reset Fail Zoom Reset Fail Frost Reset Fail	Indicated moving part failed to go to its home position after power up or fixture reset	<ul style="list-style-type: none"> • Check part's free movement and integrity • Check sensors' wiring and position • Send product for repair

6. TECHNICAL SPECIFICATIONS

Dimensions and Weight	Length	Width	Height	Weight
	13.5 in (344 mm)	17.1 in (435 mm)	25.5 in (649 mm)	47 lb (21.3 kg)
Note: Dimensions in inches rounded to the nearest decimal digit.				
Power	Power Supply Type	Range		Voltage Selection
	Switching (internal)	100–240 VAC, 50/60 Hz		Auto-ranging
	Parameter	120 VAC, 60 Hz		230 VAC, 50 Hz
	Consumption	514 W		495 W
	Current	4.3 A		2.3 A
	Fuse	T 10 A, 250 V		T 10 A, 250 V
	Power I/O	U.S./Canada		Worldwide
Power input connector	Neutrik® powerCON® A		Neutrik® powerCON® A	
Power cord plug	Bare-wired		Bare-wired	
Light Source	Type	Power	Lifespan	
	HRI	330 W	1,500 hours	
Gobo Dimensions	Gobo Wheel 1 Outside Diameter	Image Diameter	Max. Thickness	
	17.6 mm	11.0 mm	1.3 mm	
Photometrics	Parameter	Standard Optics		
	Illuminance @ 5 m	62,200 lux (5°)		
	Illuminance @ 5 m	4,110 lux (24°)		
	Beam angle	5°–24°		
Thermal	Max. External Temperature	Cooling System		
	113 °F (45 °C)	Fan-Cooled		
DMX	I/O Connectors	Connector Type	Channel Range	
	3- and 5-pin XLR	Sockets	21 or 27	
Ordering	Product Name	Item Code	UPC Number	
	Legend 330SR Spot	06010805	781462211530	
	Legend 330SR Spot (2-pack in flight case)	06010897	781462212452	



Returns You must send the product prepaid, in the original box, and with the original packing and accessories. Chauvet will not issue call tags. Call Chauvet and request a Return Merchandise Authorization (RMA) number before shipping the product. Be prepared to provide the model number, serial number, and a brief description of the cause(s) for the return. Clearly label the package with an RMA number. Chauvet will refuse any product returned without an RMA number.



DO NOT write the RMA number directly on the box. Instead, write it on a properly affixed label.

Once you have received the RMA number, include the following information on a piece of paper inside the box:

- Your name
- Your address
- Your phone number
- The RMA number
- A brief description of the problem(s)

Be sure to pack the product properly. Any shipping damage resulting from inadequate packaging will be the customer's responsibility. FedEx packing or double-boxing is recommended.



Chauvet reserves the right to use its own discretion to repair or replace returned product(s).

CONTACT Us

WORLD HEADQUARTERS - Chauvet

General Information

Address: 5200 NW 108th Avenue
Sunrise, FL 33351
Voice: (954) 577-4455
Fax: (954) 929-5560
Toll free: (800) 762-1084

Technical Support

Voice: (954) 577-4455 (Press 4)
Fax: (954) 756-8015
Email: tech@chauvetlighting.com

World Wide Web www.chauvetlighting.com

UNITED KINGDOM AND IRELAND - Chauvet Europe Ltd.

General Information

Address: Unit 1C
Brookhill Road Industrial Estate
Pinxton, Nottingham, UK
NG16 6NT

Voice: +44 (0)1773 511115
Fax: +44 (0)1773 511110

Technical Support

Email: uktech@chauvetlighting.com

World Wide Web www.chauvetlighting.co.uk

MEXICO - Chauvet Mexico

General Information

Address: Av. Santa Ana 30
Parque Industrial Lerma
Lerma, Mexico C.P. 52000

Voice: +52 (728) 285-5000

Technical Support

Email: servicio@chauvet.com.mx

World Wide Web www.chauvet.com.mx

CHAUVET EUROPE - Chauvet Europe BVBA

General Information

Address: Stokstraat 18
9770 Kruishoutem
Belgium

Voice: +32 9 388 93 97

Technical Support

Email: Eutech@chauvetlighting.eu

World Wide Web www.chauvetlighting.eu

Outside the U.S., United Kingdom, Ireland, Mexico, or Benelux, contact the dealer of record. Follow their instructions to request support or to return a product. Visit our website for contact details.